

# PACKAGING SPECIFICATIONS



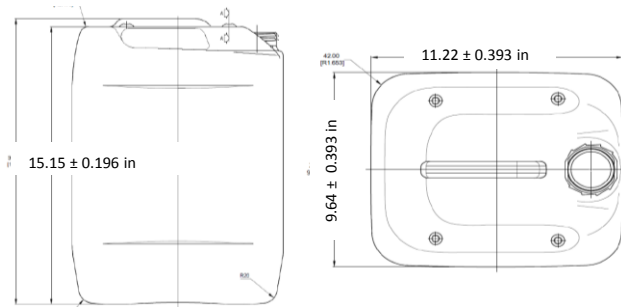
## Polyethylene Jerrycan (Italian Type) 5.28 gallon

|                       |                                    |                            |
|-----------------------|------------------------------------|----------------------------|
| <b>CUSTOMER:</b>      | <b>PRODUCTOS SELECTOS DE AGAVE</b> | <b>Date:</b><br>02.07.2016 |
| <b>Technical Data</b> |                                    | <b>Revisión: 0</b>         |

| JERRYCAN                      | SPECIFICATION   | TOLERANCE                            | CAP                       | SPECIFICATION  | TOLERANCE   |
|-------------------------------|---|--------------------------------------|---------------------------|--|-------------|
| Volumetric capacity           | Nominal: 5.28 gallon  |                                      | Outside Diameter          | 2.755 in   | ± 0.039 in  |
|                               | Overflow: Minimum 5.83 gallon   |                                      | Height                    | 1.2 in   | ± 0.039 in  |
| Weight:                       | 2.20 lb <input checked="" type="checkbox"/> 2.42 lb <input type="checkbox"/> 2.64 lb <input type="checkbox"/> | ± 0.11 lb                            | Weight                    | 0.0542 lb  | ± 0.0044 lb |
| Height                        | 15.15 in  | ± 0.196 in                           | <b>MATERIAL</b>           |  |             |
| Width                         | 9.64 in   | ± 0.393 in                           | <b>Jerrycan</b>           | HDPE   |             |
| Length                        | 11.22 in  | ± 0.393 in                           | Color                     | Natural  |             |
| Minimum Thickness :           | 0.059 in  |                                      | <b>cap</b>                | HDPE   |             |
| Maximum Filling Temperature:  | 149°F   |                                      | Color                     | Black  |             |
| Maximum temperature of closed | 86 °F   |                                      | <b>Gasket</b>             | PEBD/White   |             |
| Stacking                      | Static  | Maximum two pallets with three level | <b>Recap</b>              | Low density Polyethylene / Natural   |             |
|                               | Dynamic   | Maximum one pallets with three level | <b>Shelf life</b>         | 12 months inside warehouse and three months outdoor (empty) and / or a single lap. |             |
| Certification UN              | with UN   |                                      | <b>Interior cleaning:</b> | Standard   |             |

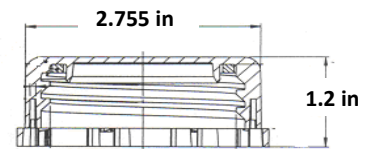
### DESCRIPTION

Container: Polyethylene Jerrycan whit a capacity of 20 liters(5.28 gallon), manufactured by a blow molded process.



Certificate "UN"      3H1/Y1.9/100/.....

Cap: Made of a High Density Polyethylene manufactured by an injection process with seal cap.



### CLOSING SPECIFICATIONS

**RECOMMENDED TORQUE: 11 - 15 Nm (8.11-11.06 ft/lb)** The recap only  
 to avoid contamination before using it the customer, do not use after filling the jerrycan

### PACKING

JERRYCAN: Jerrycan with cap placed, packed in polyethylene bag with 12 pieces each.  
 CAP: Superimposed

**Remarks: The customer must provide safety data sheets of products to be packaged for compatibility with gasket and HDPE**

Made by:  
Ing. Laura Serrano

Checked by  
Ing. Mauricio López

Approved by  
Ing. Edith Dominguez

**Signed in accordance**

\_\_\_\_\_  
CUSTOMER NAME AND SIGNATURE

\_\_\_\_\_  
NAME AND SIGNATURE OF SALES EXECUTIVE

compliance with all requirements for transport, handling and storage of their products depending on the type of industry or business to which it belongs, making sure to comply with